

## AT-8400 Line Card and Power Supply Blank Faceplate

### Installation Guide

For use with the AT-8400 Chassis

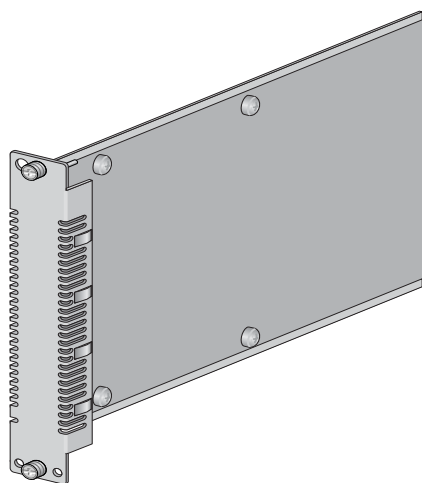
Allied Telesyn, Inc.

Visit our web site at: [www.alliedtelesyn.com](http://www.alliedtelesyn.com)

#### Overview

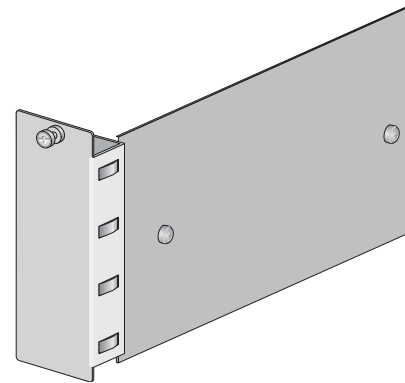
AT-8400 blank faceplates are designed to maintain optimal, trouble-free environmental conditions for the AT-8400 chassis. This installation guide provides instructions for installing both the line card blank faceplate and the power supply blank faceplate.

The AT-8400 chassis requires a blank faceplate installed in every chassis slot that is not occupied by an Ethernet line card. The blank faceplate (see Figure 1) keeps dust from getting into the switch and maintains proper airflow throughout the chassis.



**Figure 1.** Line Card Blank Faceplate

The AT-8400 chassis also requires a blank faceplate installed in any power supply slot not occupied by a power supply. The power supply blank faceplate (see Figure 2) ensures proper cooling and ventilation of the AT-8400 chassis.



**Figure 2.** Power Supply Blank Faceplate

#### Related Documents

For complete details regarding the features, functions, and installation instructions for the AT-8400 Chassis, refer to the **AT-8400 Series Switch Reference Guide** (part number 613-50399-00) which is available from the Allied Telesyn web site at [www.alliedtelesyn.com](http://www.alliedtelesyn.com).

#### Package Contents

Make sure the following items are included in your shipping package. If any item is missing or damaged, contact your Allied Telesyn sales representative.

- Three AT-8400 line card blank faceplates
- One AT-8400 power supply blank faceplate
- Installation Guide

#### Installing the AT-8400 Line Card Blank Faceplate

You can install an AT-8400 line card blank faceplate whether the chassis is powered on or powered off.

- 
- Caution**  
Before installing an AT-8400 blank faceplate, refer to the **AT-8400 Series Switch Reference Guide** for electrical safety information.
- 

To install an AT-8400 line card blank faceplate, perform the following procedure:

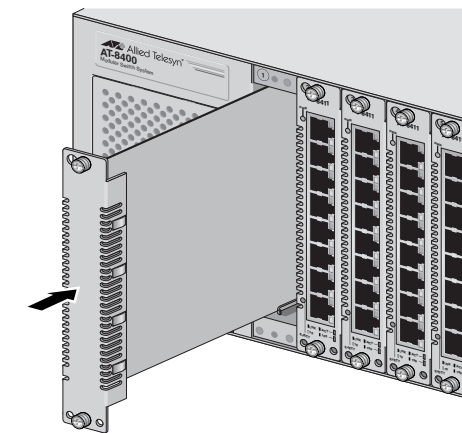
1. Select the slot in the AT-8400 chassis where you need to install a blank faceplate. You can install the faceplate in any slot marked 1 through 12.

- 
- Caution**  
Do not install a blank faceplate in Slot M. Slot M is reserved for the AT-8401 Management Fabric Card.
- 

2. Unpack a blank faceplate from the shipping package, and store any unused blank faceplates in a safe location.

- 
- Caution**  
Observe all standard electrostatic discharge (ESD) precautions, such as wearing an antistatic wrist strap, to avoid damaging the chassis device. Line cards can be damaged by static electricity.
- 

3. Verify that the blank faceplate package includes all the items previously listed in "Package Contents" on page 2. If any item is missing or damaged, contact your Allied Telesyn sales representative for assistance.
4. Align the edge of the blank faceplate with the top and bottom guide rails before carefully sliding the faceplate into the slot, as shown in Figure 3. Slide the faceplate forward into the slot until the faceplate is flush with the front of the chassis.



**Figure 3.** Insertion of Line Card Blank Faceplate

5. Secure the blank faceplate to the chassis by using a Phillips screwdriver to tighten the two installation screws on the faceplate.

- 
- Note**  
Always tighten the installation screws to secure the blank faceplate to the switch chassis. Leaving a faceplate partially seated can still allow dust to enter the chassis and disrupt the normal air flow.
- 

You have completed the line card blank faceplate installation procedure.

## Installing the AT-8400 Power Supply Blank Faceplate

You can install an AT-8400 power supply blank faceplate with the chassis either powered on or powered off.

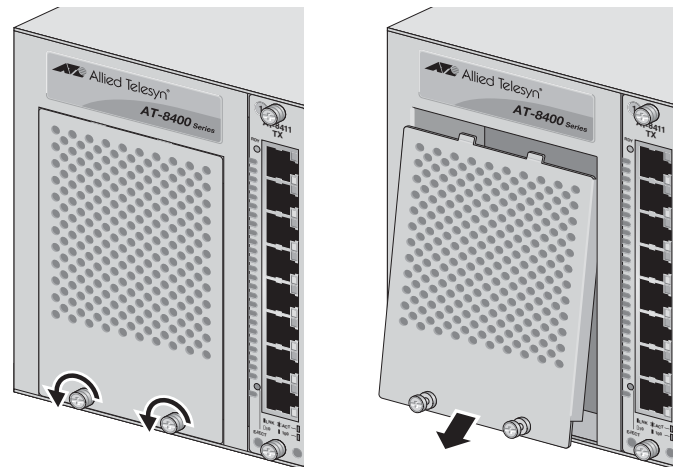


### Caution

Before installing an AT-8400 blank faceplate, refer to the **AT-8400 Series Switch Reference Guide** for electrical safety information.

To install an AT-8400 power supply blank faceplate, perform the following procedure:

1. Begin by removing the power supply cover plate, as shown in Figure 4. Use a Phillips screwdriver and loosen the two captive screws that secure the power supply cover to the chassis. Remove the cover by angling it from the bottom as you slide it down and out of the chassis.



**Figure 4.** Removing the Power Supply Cover Plate

2. Select the power supply slot in the AT-8400 chassis that is unoccupied by a power supply. Blank faceplates can be installed in either power supply slot.

### Note

Always cover any unoccupied AT-8400 power supply slot with a blank faceplate. The faceplate ensures proper cooling and ventilation of the AT-8400 Series switch.

3. Unpack the blank faceplate from the shipping package.

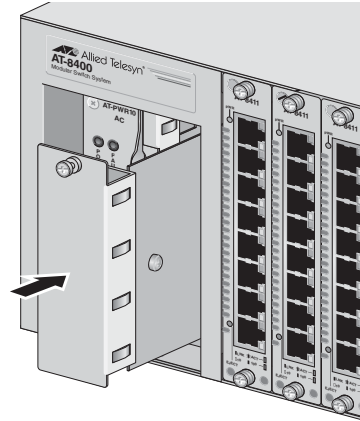


### Caution

Observe all standard electrostatic discharge (ESD) precautions, such as wearing an antistatic wrist strap, to avoid damaging the chassis device.

4. Verify that the blank faceplate package includes all the items previously listed in "Package Contents" on page 2. If any item is missing or damaged, contact your Allied Telesyn sales representative for assistance.

5. Align the edge of the blank faceplate with the top and bottom guide rails before carefully sliding the faceplate into the slot, as shown in Figure 5. Slide the faceplate forward into the empty power supply slot until the faceplate is flush with the adjacent power supply.



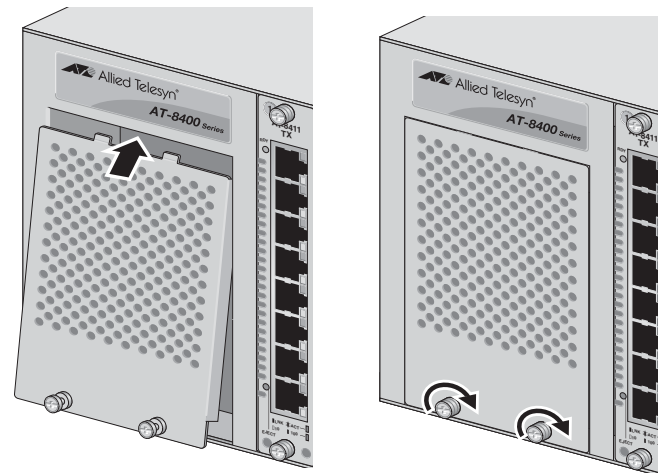
**Figure 5.** Insertion of Power Supply Blank Faceplate

6. Secure the blank faceplate to the chassis by tightening the captive screw on the faceplate.

### Note

Always tighten the installation screw to secure the blank faceplate to the switch chassis. Leaving a faceplate partially seated can allow dust to enter the chassis and disrupt cooling and ventilation in the chassis.

7. Slide the power supply cover back into the chassis and secure the cover by tightening the two captive screws, as shown in Figure 6.



**Figure 6.** Installing the Power Supply Cover Plate

You have completed the power supply blank faceplate installation procedure.

## Reviewing Safety Precautions

Please review the following safety precautions before you install an AT-8400 line card blank faceplate or an AT-8400 power supply blank faceplate.



### Warning

**Electric Shock Hazard:** To prevent electric shock, do not remove the AT-8400 chassis cover. There are no user-serviceable parts inside. The unit contains hazardous voltages and should only be opened by a trained and qualified technician. 8



### Warning

**Lightning Danger:** Do not work on this equipment or connecting cables during periods of lightning activity. 9



### Caution

**Power cord is used as a disconnection device:** To de-energize equipment, disconnect the power cord. 10



### Warning

**Electrical-Type Class 1 Equipment:** This equipment must be earthed. The power plug must be connected to a properly wired earth ground socket outlet. An improperly wired socket outlet could place hazardous voltages on accessible metal parts. 11



### Caution

**Pluggable Equipment:** The socket outlet should be installed near the equipment and should be easily accessible. 12



### Caution

**Air vents:** The air vents must not be blocked on the unit and must have free access to the room ambient air for cooling. 13



### Warning

Remove all metal jewelry, such as rings and watches, before installing or removing a blank faceplate from a powered on chassis.