

Quick Installation Guide
AT-MWS600AP
Simultaneous Dual Band Access Point



Installation Guide

This document contains an abbreviated version of the installation instructions for the MWS Series Access Points Installation Guide. For the complete installation instructions including the installation safety statements, see the product documentation on the Allied Telesis web site at www.alliedtelesis.com.

Safety and Electromagnetic Emissions Certificates

For Safety and Electromagnetic Emissions certificates, refer to MWS Series Access Point Installation Guide.

European Union Restriction of the Use of Certain Hazardous Substances (RoHS) in Electrical and Electronic Equipment

This Allied Telesis RoHS-compliant product conforms to the European Union Restriction of the Use of Certain Hazardous Substances (RoHS) in Electrical and Electronic Equipment. Allied Telesis ensures RoHS conformance by requiring supplier Declarations of Conformity, monitoring incoming materials, and maintaining manufacturing process controls.

Europe - EU Declaration of Conformity

This device complies with Directive 2014/53/EU issued by the Commission of the European Community. For more information, refer to MWS Series Access Point Installation Guide.

Note

Contact Allied Telesis for the EU conformity statement. To contact Allied Telesis, visit our web site at www.alliedtelesis.com.

Redundancy Power Supply

The access point is equipped with one PoE+ capable LAN port and a DC power supply jack. If the power supply unit on the access point fails or is not connected, the access point draws its power through the PoE+ LAN port.

Note

The AC adapter is *not* included in the shipping box. You must purchase the AT-MWS0091 AC adapter separately.

Copyright © 2017 Allied Telesis, Inc.
 All rights reserved. No part of this publication may be reproduced without prior written permission from Allied Telesis, Inc.



613-002488 Rev. A

Installation Orientations

The access point can be installed on a table, ceiling, or wall.

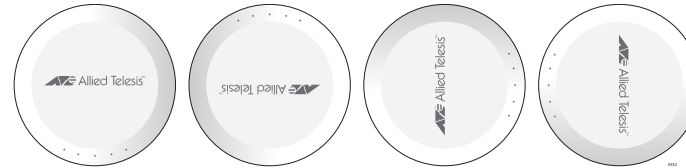
Correct Table Installation





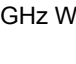
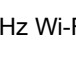
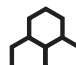
Correct Ceiling Installation



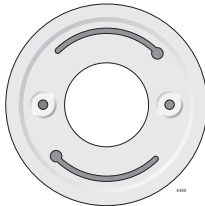


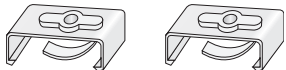


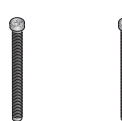
The access point must be installed on the wall in the following orientations. In other orientations, the access point *cannot* have a proper airflow.



LEDs

LED	State	Description
	Orange	The access point is powered ON and operating normally.
	Off	The access point is <i>not</i> receiving power.
	Blue	A valid link is established on the port.
	Blinking Blue	Data is being transmitted/received.
	Off	No link is established.
	Blue	The 2.4GHz WiFi interface is enabled.
	Blinking Blue	Data is being transmitted/received at the 2.4GHz frequency band.
	Off	The 2.4GHz Wi-Fi interface is disabled.
	Green	The 5GHz WiFi interface is enabled.
	Blinking Green	Data is being transmitted/received at the 5 GHz frequency band.
	Off	The 5GHz Wi-Fi interface is disabled.
		Nor supported.

Components in the Shipping Box

	Name and Description	Component
Mounting Base Kit	1 x Mounting Base	
	2 x Screw for the mounting base (M2.6 9.8mm)	
Rail Clip Kit	2 x Narrow rail clip	
	2 x Wide rail clip	
	2 x Spacer	
	2 x Short screw to attach a rail clip without the spacer or attach to the access point directly	
	2 x Long screw to attach a rail clip with the spacer	

Hard-Surface Ceiling and Wall Installation

What to Prepare

- ❑ AT-MWS600AP access point
- ❑ Two screws to attach the access point directly
- ❑ Mounting base
- ❑ Two screws for the mounting base
- ❑ Phillips-head screwdriver
- ❑ Pencil

Note

A Phillips-head screw driver and pencil are *not* included in the shipping box.

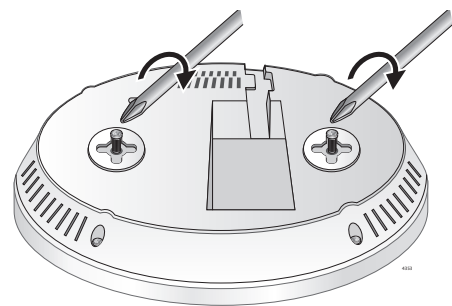
Installing the Access Point on a Hard-Surface Ceiling and Wall

To install the access point on the hard-surface ceiling or wall, perform the following procedure:

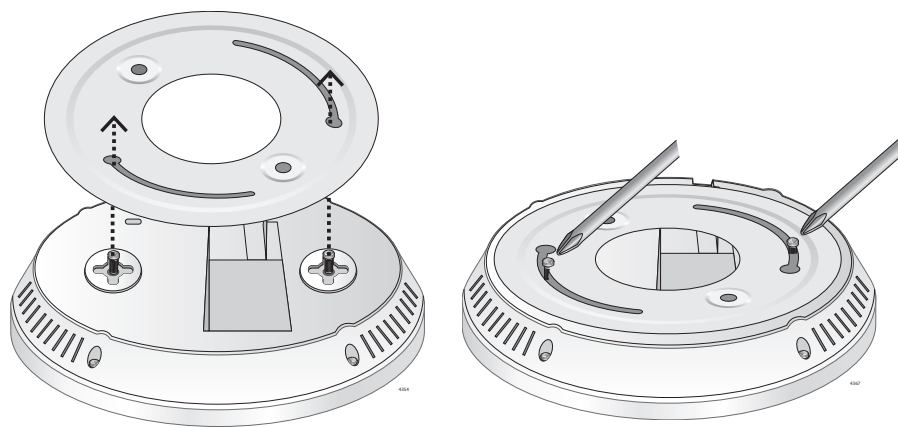
Note

Attaching the access point to the mounting base plate may not be easy once the mounting base plate is installed on a ceiling or wall. Practice Step 11 to Step 12 before installing the mounting base plate on a ceiling or wall.

1. Review the safety precautions.
2. Attach the two screws to the access point.

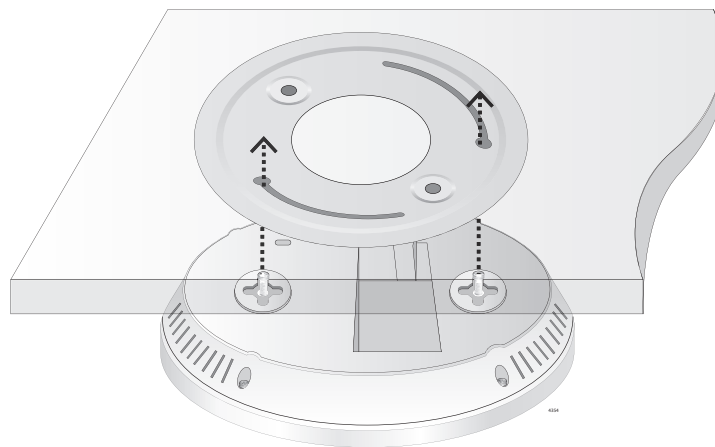


3. Apply the mounting base to the access point and adjust the height of the screws where the access point can be turned to be secured to the mounting base.

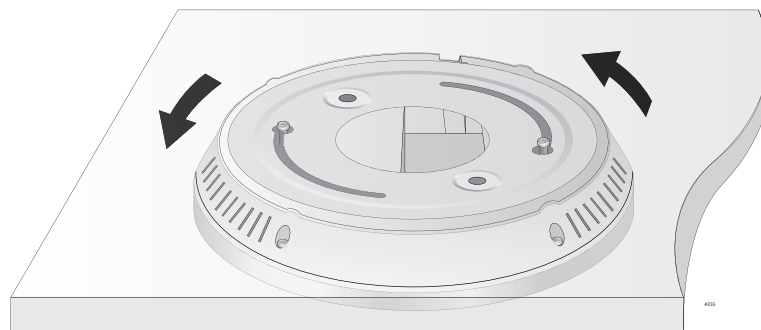


4. Remove the mounting base from the access point.
5. Connect an Ethernet cable.

6. If you plan to use the AC adapter, connect it to the DC jack.
7. If you are installing the access point on the wall, ensure that the orientation of the mounting base is correct.
8. Using the mounting base as a template, mark the two holes with a pencil where you want to install the access point.
9. Pre-drill the marked location on the hard-surface ceiling or wall.
10. Install the mounting base on the hard-surface ceiling or wall.
11. Insert the two screws on the access point to the holes on the mounting base.



12. Turn the access point until it is securely seated.



Ceiling T-Rail Installation

What to Prepare

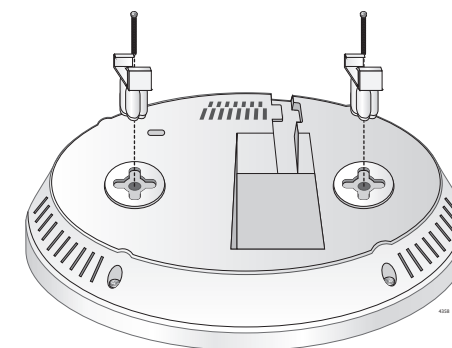
- ❑ AT-MWS600AP access point
- ❑ Two rail clips, either narrow rail clips or wide rail clips
- ❑ Two spacers
- ❑ Two long screws for the rail clip with the spacer
- ❑ Phillips-head screwdriver

Note

A Phillips-head screw driver is *not* included in the shipping box.

Installing the Access Point on a Ceiling T-Rail

1. Review the safety precautions.
2. Attach two rail clips and the spacers to the access point using the long screws.



3. Connect an Ethernet cable.
4. If you plan to use the AC adapter, connect it to the DC jack before going to Step 5.
5. Align the rail clips on the access point to the ceiling T-rail and apply force to attach the access point to the rail.

