

# Quick Installation Guide

## AT-MWS2533AP

### Simultaneous Dual Band Access Point



## Installation and User's Guides

This document contains an abbreviated version of the installation instructions for the MWS Series Access Points Installation Guide. For complete installation instructions and installation safety statements, see the product documentation on the Allied Telesis web site at [www.alliedtelesis.com](http://www.alliedtelesis.com).

## Safety and Electromagnetic Emissions Certificates

For Safety and Electromagnetic Emissions certificates, refer to MWS Series Access Point Installation Guide.

## European Union Restriction of the Use of Certain Hazardous Substances (RoHS) in Electrical and Electronic Equipment

This Allied Telesis RoHS-compliant product conforms to the European Union Restriction of the Use of Certain Hazardous Substances (RoHS) in Electrical and Electronic Equipment. Allied Telesis ensures RoHS conformance by requiring supplier Declarations of Conformity, monitoring incoming materials, and maintaining manufacturing process controls.

## Europe - EU Declaration of Conformity

This device complies with Directive 2014/53/EU issued by the Commission of the European Community. For more information, refer to MWS Series Access Point Installation Guide.

### Note

For the EU conformity statement, contact an Allied Telesis office listed on our web site at <http://www.alliedtelesis.com/contact>.

Copyright © 2017 Allied Telesis, Inc.

All rights reserved. No part of this publication may be reproduced without prior written permission from Allied Telesis, Inc.



613-002444 Rev. B

## Redundancy Power Supply

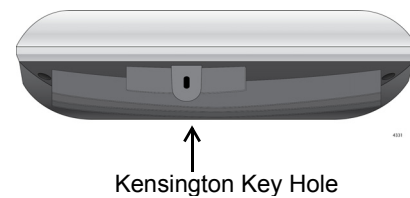
The access point is equipped with two PoE+ capable LAN ports. In addition to the PoE+ ports, this device can drain power through the DC jack. When the power supply unit on the access point fails, it switches to the PoE+ port to drain power.

### Note

The AC adapter is *not* included in the shipping box. You must purchase the AT-MWS0091 AC adapter separately.

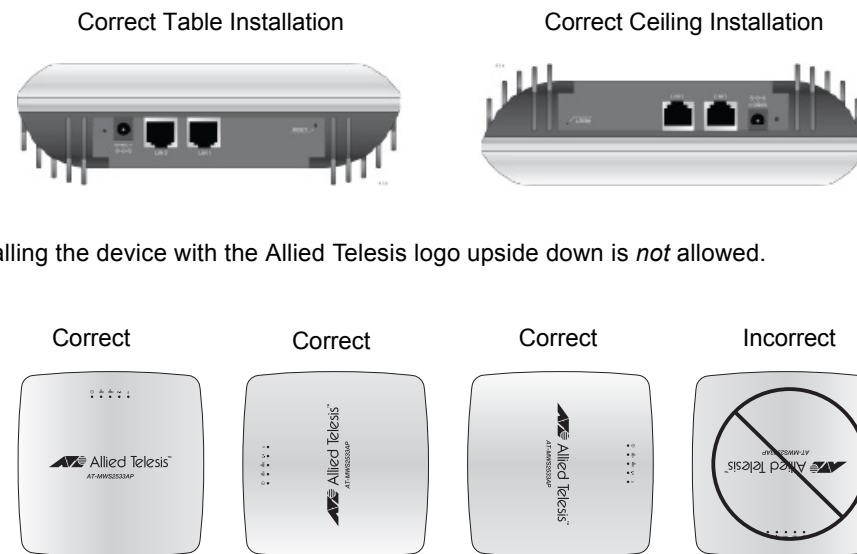
## Kensington Key Hole

The access point has the Kensington key hole on the side panel.



## Installation Orientations

The access point can be installed on a table, ceiling, or wall.



Installing the device with the Allied Telesis logo upside down is *not* allowed.

## LEDs

The LEDs display status information.

LED	State	Description
	Green	The access point is powered ON and operating normally.
	Blinking Green	The access point is rebooting or software is upgrading.
	Off	The access point is <i>not</i> receiving power.
	Blinking Amber	The configuration has being reset to the factory default settings.
	Green	A valid link is established on the port at 1000Mbps.
	Blinking Green	Data is being transmitted/received at 1000Mbps.
	Amber	A valid link is established on the port at 10Mbps or 100Mbps.
	Blinking Amber	Data is being transmitted/received at 10 Mbps or 100Mbps.
	Off	No link is established.
	Green	A valid link is established on the port at 1000Mbps.
	Blinking Green	Data is being transmitted/received at 1000Mbps.
	Amber	A valid link is established on the port at 10Mbps or 100Mbps.
	Blinking Amber	Data is being transmitted/received at 10 Mbps or 100Mbps.
	Off	No link is established.
2.4GHz Wifi	Green	The 2.4GHz Wi-Fi interface is enabled.
	Blinking Green	Data is being transmitted/received at the 2.4GHz frequency band.
	Off	The 2.4GHz Wi-Fi interface is disabled.
5GHz Wifi	Green	The 5GHz Wi-Fi interface is enabled.
	Blinking Green	Data is being transmitted/received at the 5GHz frequency band.
	Off	The 5GHz Wi-Fi interface is disabled.

## What to Prepare for the Ceiling or Wall Installation

You need the following items to install the access point on a ceiling or wall:

- AT-MWS2533AP access point
- AT-BRKT-MWS01 mounting base plate

### Note

The AT-BRKT-MWS01 mounting base plate is *not* included in the shipping box. You must purchase it separately.

- Four screws for a ceiling or wall
- Phillips-head screwdriver
- Pencil

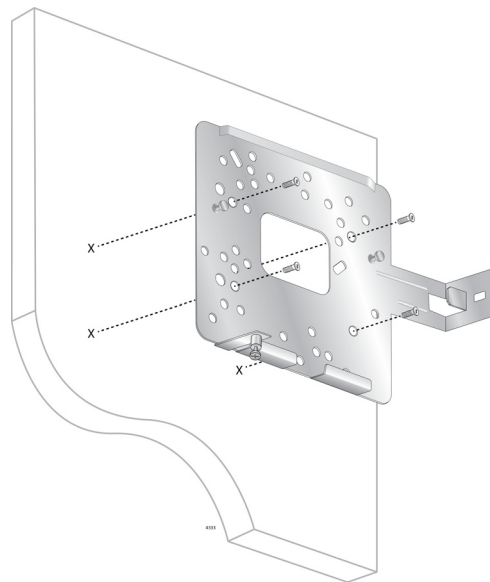
## Installing the Access Point on a Ceiling or Wall

To install the access point on the ceiling or wall, perform the following procedure:

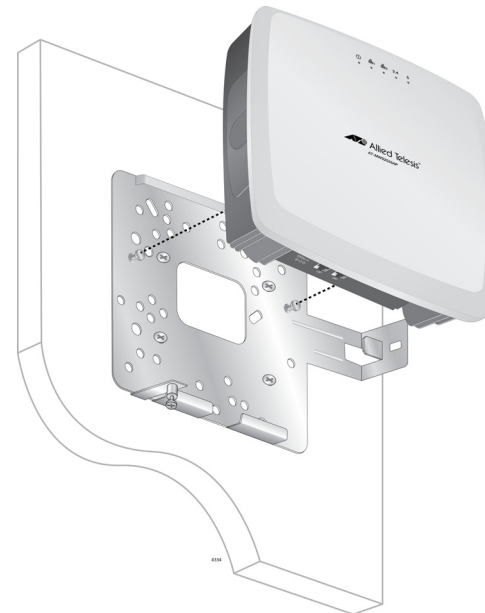
### Note

Attaching the access point to the mounting base plate may not be easy once the mounting base plate is installed on a ceiling or wall. Practice Step 5 to Step 6 before installing the mounting base plate on a ceiling or wall.

1. Review the safety precautions.
2. Using the mounting base plate as a template, mark the four holes with a pencil.
3. Pre-drill the marked locations on the ceiling or wall.
4. Install the mounting base plate on the ceiling or wall.



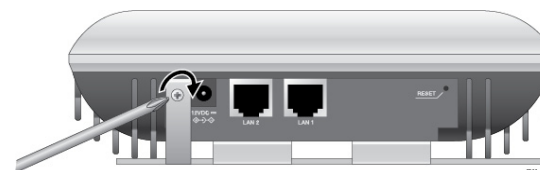
5. Insert the two pins on the mounting base plate into the circles of the keyhole slots.



6. Slide the access point to lock the necks of the mounting base plate pins in the slots.



7. Fasten the captive screw on the mounting base plate to secure the access point.



## Connecting the Access Point with the Ethernet Cable

To connect the access point with the Ethernet cable, perform the following procedure:

1. Connect the RJ-45 plug into the LAN port.
2. Connect the other RJ-45 plug to the PoE+ switch.

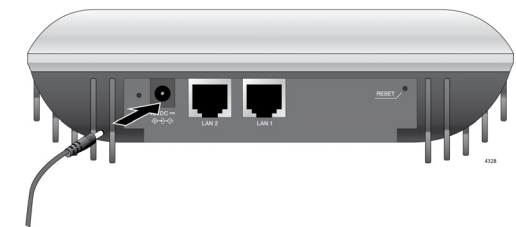
### Note

The cable specifications for the LAN ports are detailed in the MWS Series Access Point Installation Guide.

## Connecting the AC Adapter

To connect the AC adapter, perform the following procedure:

1. Connect the AC adapter into the DC jack on the access point.



2. Connect the other end of the AC adapter to wall power outlet.