



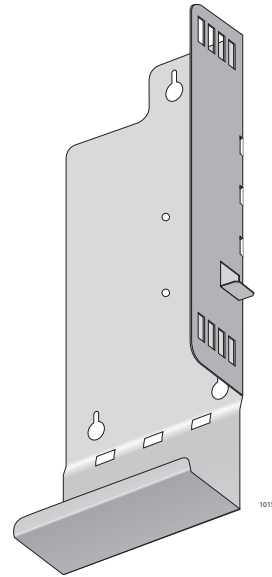
613-000549 Rev D



AT-CVMT12 Wall-Mount Bracket Installation Guide

Overview

The AT-CVMT12 Wall-Mount Bracket, as shown below, is a shelf style bracket designed to mount a Converteon™ AT-CV120x chassis and up to two AC power adapters on the wall.



Related Documents

For details on the components, features, and functions of an AT-CV120x chassis, refer to the following document on our web site, www.alliedtelesis.com:

- AT-CV120x Media Converter Chassis Installation Guide

Package Contents

Make sure the following items are included in the shipping package.

- One AT-CVMT12 Wall-Mount Bracket
- Three plastic anchors
- Three anchor screws
- Four small flathead bracket mount screws
- Four long wire ties
- Two short wire ties
- This installation guide
- Warranty card

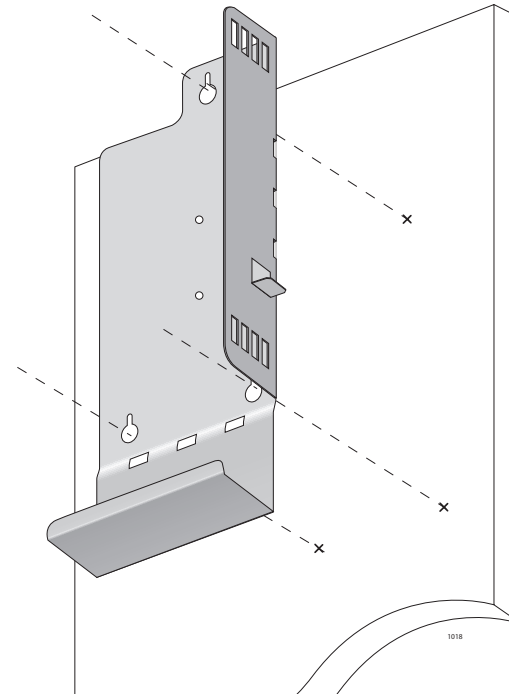
If any item is missing or damaged, contact your Allied Telesis sales representative for assistance.

Preparing a Wall Location

To prepare a wall location for the AT-CVMT12 Wall-Mount Bracket, perform the following procedure:

1. Remove the AT-CVMT12 Wall-Mount Bracket from its shipping package and store the packaging material in a safe location.

2. Select the wall location and align the bracket vertically on the wall.
3. Mark the locations of the mounting holes on the wall, as shown below.



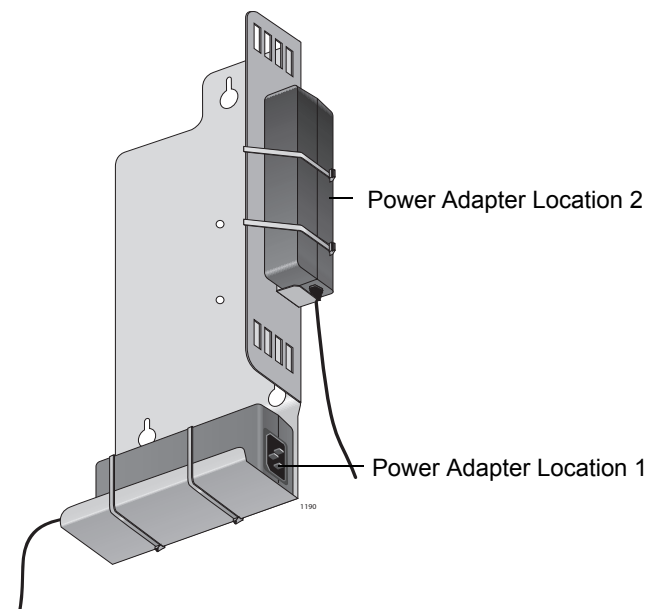
4. At the marked locations, drill holes for the wall anchors, insert the anchors, and drive in the anchor screws.
5. Test and adjust the bracket installation by mounting the bracket on the anchors and adjusting the screws as necessary so that the bracket fits securely on the wall.

Note

Do not mount the bracket on the wall until you have mounted the AC power adapter(s) and the AT-CV120x chassis on the bracket.

Attaching the AC Power Adapters

The AT-CVMT12 Wall-Mount Bracket can hold two AC power adapters, one at the bottom and one along the side, as shown below.

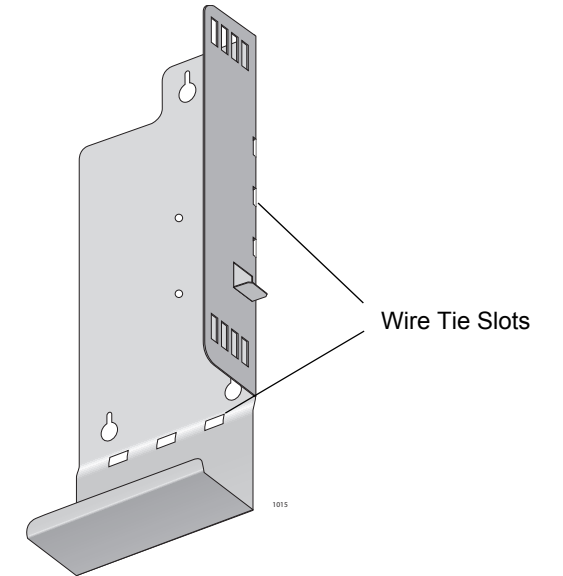


Note

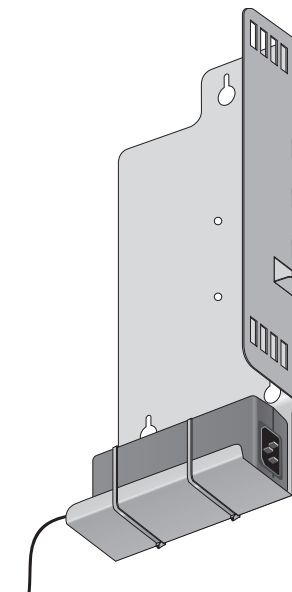
One AC power adapter is shipped with the AT-CV120x chassis. Only one power adapter is required to power the chassis. To purchase an additional power adapter for redundancy purposes, contact your Allied Telesis sales representative.

To mount a power adapter in either or both locations, perform the following procedure:

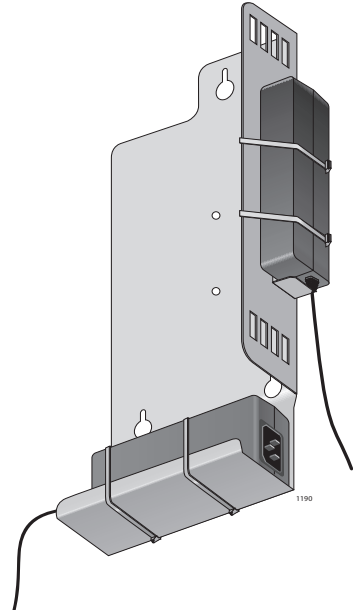
1. Locate the long wire ties in the package.
2. Locate the wire tie slots, as shown below.



3. To mount a power adapter in location 1, thread two wire ties through 2 of the 3 slots, lay the power adapter on the shelf with the power connector to the right, and secure the wire ties, as shown below.



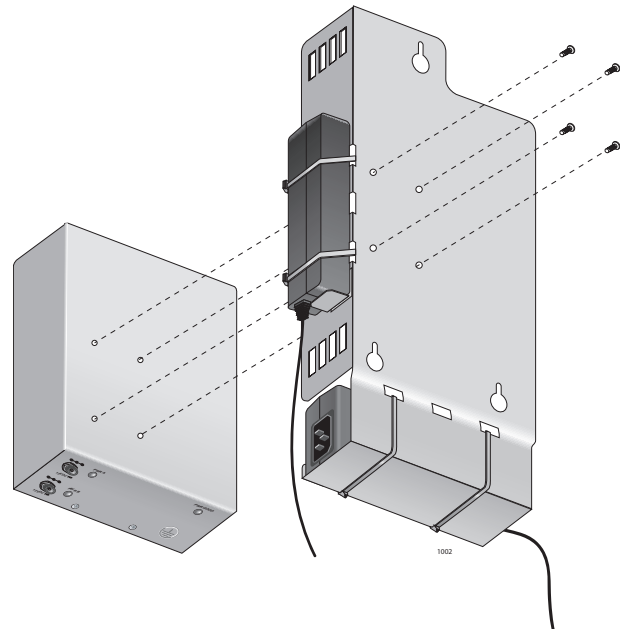
- To mount a power adapter in location 2, thread two wire ties through 2 of the 3 slots, position the power adapter on the shelf with the power connector to the top, and secure the wire ties, as shown below.



Attaching the AT-CV120x Chassis to the AT-CVMNT12 Bracket

To attach an AT-CV120x chassis to the wall-mount bracket, perform the following procedure:

- Ensure that at least one AC power adapter is mounted on the bracket.
- Remove the rubber feet from the bottom of the chassis, if they are attached.
- Turn the AT-CV120x chassis over, and align the four holes through the bracket with the mounting holes in the back of the chassis, as shown below.



Note

There is only one possible way that the chassis can be positioned on the bracket: with the power connections on the rear of the chassis facing down.

- Locate the small flat-head screws in the package and use them to secure the chassis to the bracket.

Mounting the Bracket with Chassis and Power Adapter(s) to the Wall

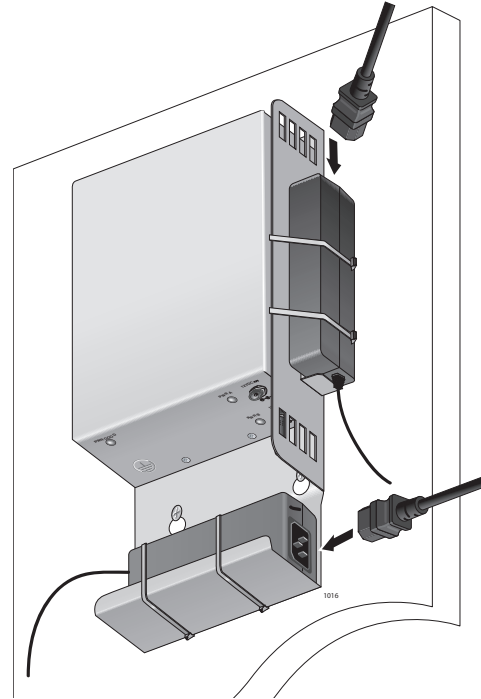
To mount the bracket with the attached chassis and power adapter(s) to the wall, perform the following procedure:

- Ensure that the chassis and power adapter(s) are securely mounted on the bracket.
- Position the wall-mount bracket on the wall, aligning the anchor screws with the mounting holes, and slide the bracket down to secure it on the wall.

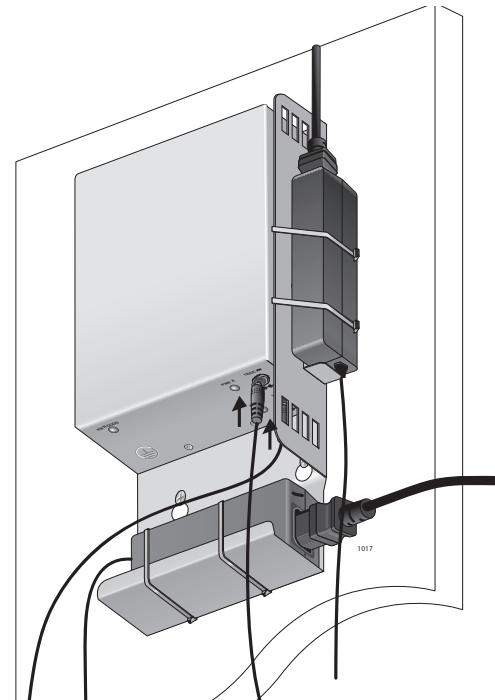
Powering On the AT-CV120x Chassis

To power on the chassis, perform the following procedure:

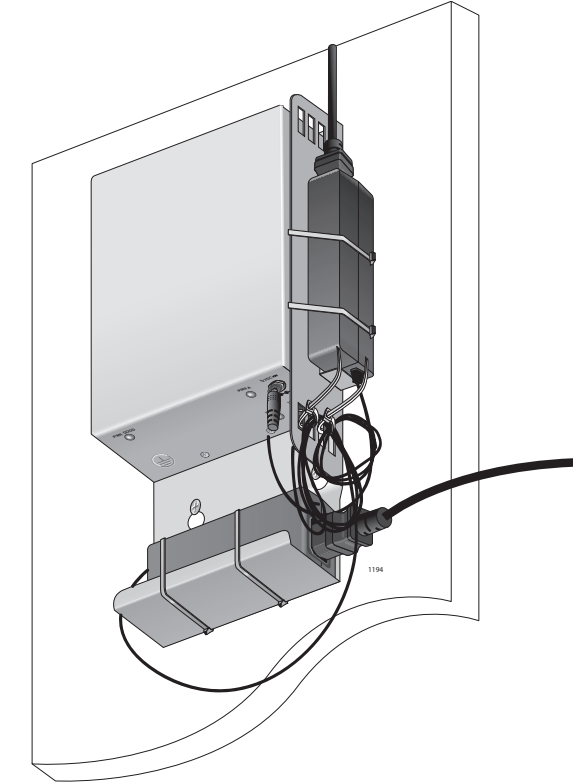
- Connect the power cord(s) to the power adapter(s), as shown below.



- Plug the other end of the power cord(s) into a wall outlet.
- Plug the connector(s) from the power adapter(s) into the power jack(s) on the chassis, as shown below.



- Locate the short wire tie(s) in the package.
- Thread the wire tie(s) through the slots and secure the power connector(s), as shown below.



Technical Specifications

Dimensions (H x W x L) 2.2 cm x 7.3 cm x 13.0 cm
(.855 in. x 2.89 in. x 5.1 in.)

Weight 0.45 kg (1.0 lb.)

Copyright © 2007 Allied Telesis, Inc. All rights reserved.
No part of this publication may be reproduced without prior written permission from Allied Telesis Inc.

