
Addendum for the AT-FS705LE Ethernet Switch Installation Guide (PN 613-50138-00 Rev C)

Purpose

The purpose of this addendum is to add a callout for the +/- international DC polarity symbol on the front panel illustration.

For a complete description of the functions and features of the AT-FS705LE switch and for installations instructions, refer to the *AT-FS705LE Installation Guide*. This guide is shipped with the product or it can be downloaded from the Allied Telesyn web site at www.alliedtelesyn.com.

Chapter 1 - Overview

Page 1

The following figure replaces Figure 1 of the installation guide:

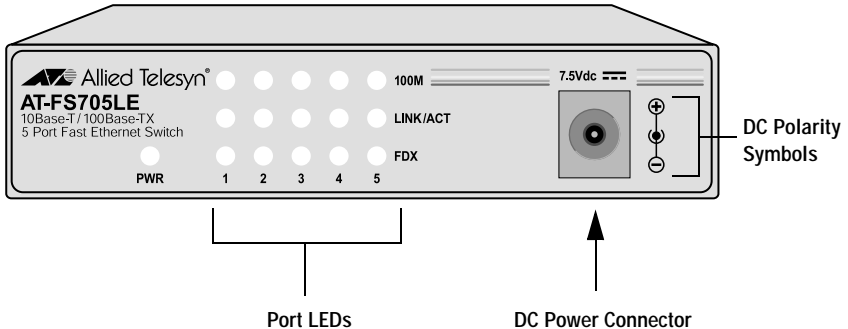


Figure 1 AT-FS705LE Front Panel

