

---

*The CentreCOM*  
**AT-MC12T**  
*Media Converter User's Guide*

---

### Overview

The Allied Telesyn AT-MC12T is used in addition to a transceiver (MAU) to convert another Ethernet physical layer to 10BASE-T. It is connected to a transceiver of the required conversion type. The power adapter supplies power to the AT-MC12T and to the attached transceiver.

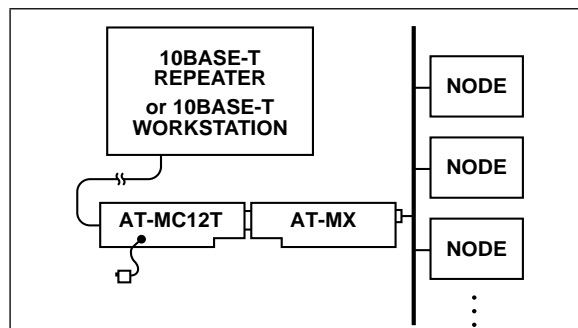
**Table 1:** Possible Media Conversion

	Transceiver (MAU)	Conversion Type
MC12T	MX40F, MX55F, MX50 (10BASE-FL MAU)	UTP—Fiber Optic
MC12T	MX10S (10BASE2 MAU)	UTP—Thin Coax

### MDI/MDI-X Switch

The MDI/MDI-X switch located on the side of the unit, is a straight-through crossover cable selection switch. It enables the 10BASE-T (RJ45) port to be connected to a repeater or to a DTE without using a special crossover cable.

The default setting of the switch is MDI-X, which means you can connect the 10BASE-T port to a workstation or to any other DTE that uses a straight-through cable. In the MDI configuration, slide the switch to the MDI side and you can connect the 10BASE-T port to a repeater/hub/concentrator using a straight-through cable.



**Figure 1:** Typical Configuration

**Table 2:** RJ45 Pinout

RJ45—MDI Pinout		RJ45—MDI-X Pinout	
Pin	Signal	Pin	Signal
1	TD+	1	RD+
2	TD-	2	RD-
3	RD+	3	TD+
6	RD-	6	TD-
4, 5, 7, 8	N/A	4, 5, 7, 8	N/A

**NOTE**

The transceiver (MAU) attached at the AUI connector must have the SQE (heartbeat) test disabled for proper operation.

**LED Explanation**

There are four LEDs next to the 10BASE-T port of the MC12T

**Table 3:** LED Guide

LED Name	Meaning When LED Is Lighted
PWR	Indicates power is applied
LNK	Indicates link is established
ACT	Indicates data is received on RJ45 or AUI port
COL	Indicates a collision is detected on RJ45 or AUI port

**Power Requirements**

The AT-MC12T draws power from the wall-mount AC-DC power adapter attached at its DC jack. ATI supplies the TUV/UL/CSA licensed safety compliant AC power adapter for the 120 and 240 VAC versions with an unregulated output of 12 VDC at 1A. The power required for the AT-MC12T is:

12 to 18 VDC, 700 mA
----------------------

**Installing the AT-MC12T**

1. Choose the correct switch settings for the AT-MC12T and the attached transceiver.
2. Make sure that the SQE test is OFF.
3. Plug the AT-MC12T onto the 15-pin male connector on the transceiver or on the AUI cable.
4. Slide the connector latch in place.
5. Connect the power adapter to the AT-MC12T and then to an AC outlet.

**Warranty**

The AT-MC12T Media Converter has a lifetime warranty. The power supply has a one year warranty.

## Electrical Safety and Installation Requirements

### RADIATED ENERGY

U.S. Federal Communications

Note: This equipment has been tested and found to comply with the limits for a Class A digital device pursuant to Part 15 of FCC Rules. These limits are designed to provide reasonable protection against harmful interference when the equipment is operated in a commercial environment. This equipment generates, uses, and can radiate radio frequency energy and, if not installed and used in accordance with this instruction manual, may cause harmful interference to radio communications. Operation of this equipment in a residential area is likely to cause harmful interference in which case the user will be required to correct the interference at his own expense.

Note: Modifications or changes not expressly approved of by the manufacturer or the FCC, can void your right to operate this equipment.

Canadian Department of Communications

This Class A digital apparatus meets all requirements of the Canadian Interference-Causing Equipment Regulations.

Cet appareil numérique de la classe A respecte toutes les exigences du Règlement sur le matériel brouilleur du Canada.

**STANDARDS:** This product meets the following standards

RFI Emission EN55022 Class A

**WARNING:** In a domestic environment this product may cause radio interference in which case the user may be required to take adequate measures.

Immunity EN50082-1

Electrical Safety EN60950, UL1950, CSA 950

### SAFETY



#### LIGHTNING DANGER

DANGER: DO NOT WORK on equipment or CABLES during periods of LIGHTNING ACTIVITY.

#### Operating temperature

This product is designed for a maximum ambient temperature of 40 degrees C.



#### Environmental Air Notice

Caution: UL listed for use in other Environmental Air Spaces in Accordance with Article 300-22(C) of the U.S.A National Electrical Code. Note: Product is not Plenum rated.

**All Countries:** Install product in accordance with local and National Electrical Codes.

---

**NORMEN:** Dieses Produkt erfüllt die Anforderungen der nachfolgenden Normen.  
Hochfrequenzstörung EN55022 Klasse A

**WARNUNG:** Bei Verwendung zu Hause kann dieses Produkt Funkstörungen hervorrufen. In diesem Fall mußte der Anwender angemessene Gegenmaßnahmen ergreifen.

Störsicherheit EN50082-1

Elektrische Sicherheit EN60950, UL1950, CSA 950



#### GEFAHR DURCH BLITZSCHLAG

GEFAHR: Keine Arbeiten am Gerät oder an den Kabeln während eines Gewitters ausführen



#### BETRIEBSTEMPERATUR

Dieses Produkt wurde für den Betrieb in einer Umgebungstemperatur von nicht mehr als 40° C entworfen.

**Alle Länder:** Installation muß örtlichen und nationalen elektrischen Vorschriften entsprechen.

---

Radiofrekvens forstyrrelsesemission EN55022 Klasse A

**ADVARSEL:** I et hjemligt miljø kunne dette produkt forårsage radio forstyrrelse. Bliver det tilfældet, påkræves brugeren muligvis at tage tilstrækkelige foranstaltninger.

Immunitet EN50082-1

Elektrisk sikkerhed: EN60950, UL1950, CSA 950.



#### FARE UNDER UVEJR

FARE: UNDLAD at arbejde på udstyr eller KABLER i perioder med LYNAKTIVITET.



#### Bedjeningstemperatur

Dette apparat er konstrueret til en omgivende temperatur på maksimum 40 grader C.

**Alle lande:** Installation af produktet skal ske i overensstemmelse med lokal og national lovgivning for elektriske installationer.

---

RFI Emission EN55022 Klasse A

**WAARSCHUWING:** Binnenshuis kan dit product radiostoring veroorzaken, in welk geval de gebruiker verplicht kan worden om gepaste maatregelen te nemen.

Immunitet EN50082-1

Electrische Veiligheid EN60950, UL1950, CSA 950



#### GEVAAR VOOR BLIKSEMINSLAG

GEVAAR: NIET aan toestellen of KABELS WERKEN bij BLIKSEM.



#### Bedrijfstemperatuur

De omgevingstemperatuur voor dit produkt mag niet meer bedragen dan 40 graden Celsius.

**Alle landen:** het toestel installeren overeenkomstig de lokale en nationale elektrische voorschriften.

---

**NORMES :** ce produit est conforme aux normes de suivantes :

Emission d'interférences radioélectriques EN55022 Classe A

**MISE EN GARDE :** dans un environnement domestique, ce produit peut provoquer des interférences radioélectriques. Auquel cas, l'utilisateur devra prendre les mesures adéquates.

Immunité EN50082-1

Sécurité électrique EN60950, UL1950, CSA 950



#### DANGER DE Foudre

DANGER : NE PAS MANIER le matériel ou les CÂBLES lors d'activité orageuse.



#### TEMPÉRATURE DE FONCTIONNEMENT

Ce matériel est capable de tolérer une température ambiante maximum de 40 degrés Celsius.

**Pour tous pays :** Installer le matériel conformément aux normes électriques nationales et locales.

Radioaaltojen häirintä EN55022 Luokka A

**VAROITUS:** Kätölosuhteissa tämä laite voi aiheuttaa radioaaltojen häiriöitä, missä tapauksessa laitteen käyttäjän on mahdollisesti ryhdyttävä tarpeellisiin toimenpiteisiin.

KestävyyS EN50082-1

Sähköturvallisuus EN60950, UL1950, CSA 950

**TURVALLISUUS**



**SALAMANISKUVAARA**

HENGENVAARA: ÄLÄ TYÖSKENTELE laitteiden tai KAAPELEIDEN KANSSEA SALAMOINNIN AIKANA.



**KÄYTTÖLÄMPÖTILA**

Tämä tuote on suunniteltu ympäröivän ilman maksimilämpötilalle 40°C.

**Kaikki maat:** Asetna tuote paikallisten ja kansallisten sähköturvallisuusmääräysten mukaisesti.

Emissione RFI (interferenza di radiofrequenza) EN55022 Classe A

**AVVERTENZA:** in ambiente domestico questo prodotto potrebbe causare radio interferenza.

In questo caso potrebbe richiedersi all'utente di prendere gli adeguati provvedimenti.

Immunità EN50082-1

Sicurezza elettrica EN60950, UL1950, CSA 950

**NORME DI SICUREZZA**



**PERICOLO DI FULMINI**

PERICOLO: NON LAVORARE sul dispositivo o sui CAVI durante PRECIPITAZIONI TEMPORALESCHE.



**Temperatura di funzionamento**

Questo prodotto è concepito per una temperatura ambientale massima di 40 gradi centigradi.

**Tutti i paesi:** installare il prodotto in conformità delle vigenti normative elettriche nazionali.

RFI stråling EN55022 Klasse A

**ADVARSEL:** Hvis dette produktet benyttes til privat bruk, kan produktet forårsake radioforstyrrelse.

Hvis dette skjer, må brukeren ta de nødvendige forholdsregler.

Immunitet EN50082-1

Elektrisk sikkerhet EN60950, UL1950, CSA 950

**SIKKERHET**



**FARE FOR LYNNEDSLAG**

FARE: ARBEID IKKE på utstyr eller KABLER i TORDENVÆR.



**Driftstemperatur**

Dette produktet er konstruert for bruk i maksimum romtemperatur på 40 grader celsius.

**Alle land:** Produktet må installeres i samsvar med de lokale og nasjonale elektriske koder.

Emissão de interferência de radiofrequência EN55022 Classe A

**AVISO:** Num ambiente doméstico este produto pode causar interferência na radiorrecepção e, neste caso, pode ser necessário que o utente tome as medidas adequadas.

Imunidade EN50082-1

Segurança Eléctrica EN60950, UL1950, CSA 950

**SEGURANÇA**



**PERIGO DE CHOQUE CAUSADO POR RAI0**

PERIGO: NÃO TRABALHE no equipamento ou nos CABOS durante períodos suscetíveis a QUEDAS DE RAI0.



**TEMPERATURA DE FUNCIONAMENTO**

Este produto foi projetado para uma temperatura ambiente máxima de 40 graus centígrados.

**Todos os países:** Instale o produto de acordo com as normas nacionais e locais para Instalações eléctricas.

Emission RFI EN55022 Clase A

**ADVERTENCIA:** en un entorno doméstico, este producto puede causar radiointerferencias, en cuyo caso, puede requerirse del usuario que tome las medidas que sean convenientes al respecto.

Immunidad EN50082-1

Seguridad eléctrica EN60950, UL1950, CSA 950

**SEGURIDAD**



**PELIGRO DE RAYOS**

PELIGRO: NO REALICE NINGUN TIPO DE TRABAJO O CONEXION en los equipos o en LOS CABLES durante TORMENTAS ELECTRICAS.



**Temperatura requerida para la operación**

Este producto está diseñado para una temperatura ambiental máxima de 40 grados C.

**Para todos los países:** Monte el producto de acuerdo con los Códigos Eléctricos locales y nacionales.

Radioströmning EN55022 Klass A

**VARNING:** Denna produkt kan ge upphov till radiostörningar i hemmet, vilket kan tvinga användaren till att vidtaga erforderliga åtgärder.

Immunitet EN50082-1

Elsäkerhet EN60950, UL1950, CSA 950

**SÄKERHET**



**FARA FÖR BLIXTNEDSLAG**

FARA: ARBETA EJ på utrustningen eller kablarna vid ÅSKVÄDER.



**DRIFTSTEMPERATUR**

Denna produkt är konstruerad för rumstemperatur ej överstigande 40 grader Celsius.

**Alla länder:** Installera produkten i enlighet med lokala och statliga bestämmelser för elektrisk utrustning.

Allied Telesyn International  
19015 North Creek Parkway Suite 200  
Bothell, WA 98011  
Tel (206) 487-8880 • Fax (206) 489-9191  
Technical Support Tel (800) 428-4835 • Fax (206) 281-6361