

Electrical Safety and Emission Statement

Standards: This product when used to rackmount the PowerBlade Chassis meets the following standards:

Electrical Safety

EN60950, UL1950 (UL/cUL)



PowerBlade Rackmount Brackets

Quick Install Guide

For use with the PowerBlade Chassis

Overview

The PowerBlade Rackmount Brackets are designed to be used with the PowerBlade Chassis. The rackmount brackets are available for three different size racks: 19-, 23-, and 25-inch. Use the chart below to ensure you have the correct rackmount brackets for your rack.

Model	Rack Size
AT-PBRKMT-19	19-inch rack
AT-PBRKMT-23	23-inch rack
AT-PBRKMT-25	25-inch rack

Related Documents

This quick install guide is an abbreviated version of the rackmount installation procedure. For complete details on the features, functions and installation instructions for the PowerBlade Chassis, refer to the *PowerBlade Chassis Installation Guide*. This guide is available from Allied Telesyn's web site at www.alliedtelesyn.com.

Package Contents

Make sure the following items are included in your package. If any of these items are missing or damaged, contact your Allied Telesyn sales representative.

- A pair of 19-, 23-, or 25-inch rackmount brackets
- 8 Phillips-head screws
- This quick install guide

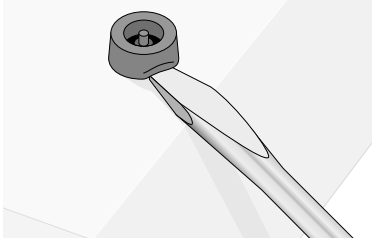
Copyright © 2001 Allied Telesyn International, Corp.
All rights reserved. No part of this publication may be reproduced without prior written permission from Allied Telesyn International, Corp.



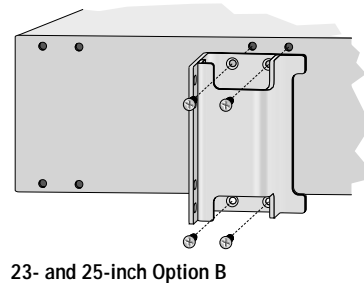
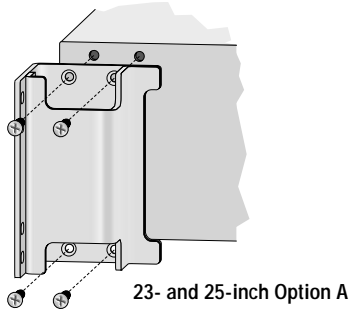
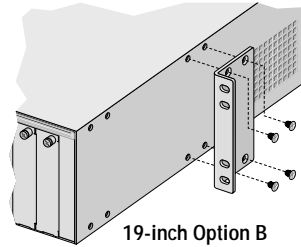
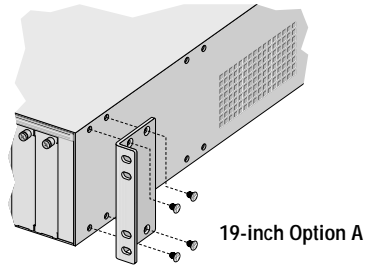
Allied Telesyn International Corp.
960 Stewart Drive, Suite B
Sunnyvale, CA 94085 USA
Tel 1 (408) 730-0950 • Fax 1 (408) 736-0100
Visit our web site at: www.alliedtelesyn.com

Installing the Chassis in a Rack

1. Remove the rubber feet from the bottom of the chassis, if attached, as shown below.



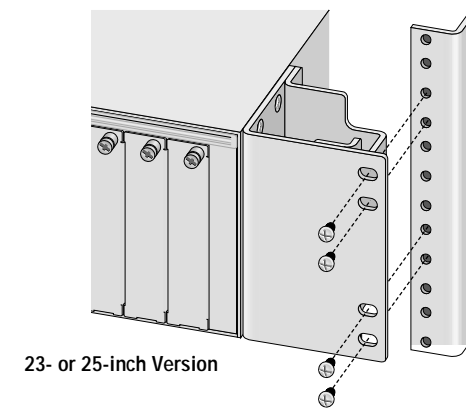
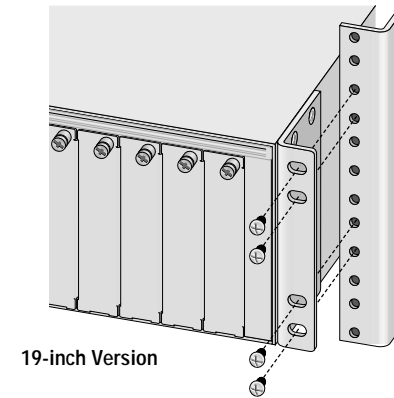
2. Using the 8 Phillips-head screws (provided), attach the rackmount brackets to either the front or middle of the side of the chassis, as shown below.



Note

The chassis may be heavy and awkward to lift. It is recommended that you get assistance with the next step.

3. Attach the chassis to the rack with 4 screws (not provided) to each side.



4. Apply power to the chassis by connecting the AC power cord or DC wires. Refer to the *PowerBlade Chassis Installation Guide* for instructions on applying power to the chassis.
5. The chassis is now ready for use. Refer to the *PowerBlade Chassis Installation Guide* or the quick install guide that came with your PowerBlade Media Converter or Switch modules for further instructions.