

Quick Installation Guide

TQ6702e GEN2 Wireless Access Point

The access point model included in this Quick Installation guide is:

- AT-TQ6702e GEN2

Installation and User's Guides

This document contains an abbreviated version of the installation instructions for the *TQ6702e GEN2 Wireless Access Point*. For complete installation and management instructions, see the *TQ6702e GEN2 Wireless Access Point Installation Guide* and *TQ6702e GEN2 Management Software User's Guide* on the Allied Telesis web site at www.alliedtelesis.com/library.

Safety Precautions and Site Requirements

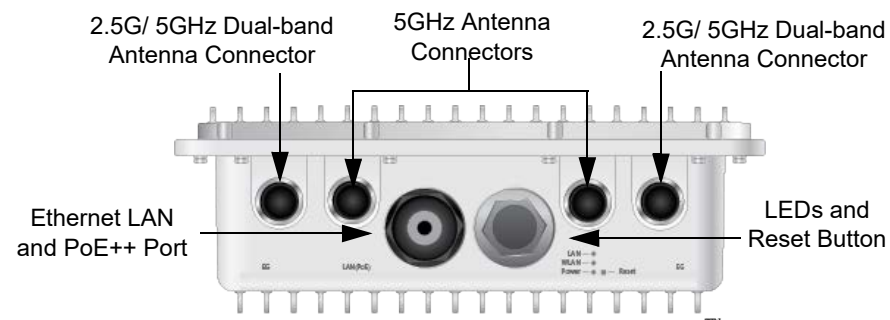
Review the safety precautions and site requirements in the *TQ6702e GEN2 Wireless Access Point Installation Guide* before installing the device.

Safety and Electromagnetic Emissions Certificates

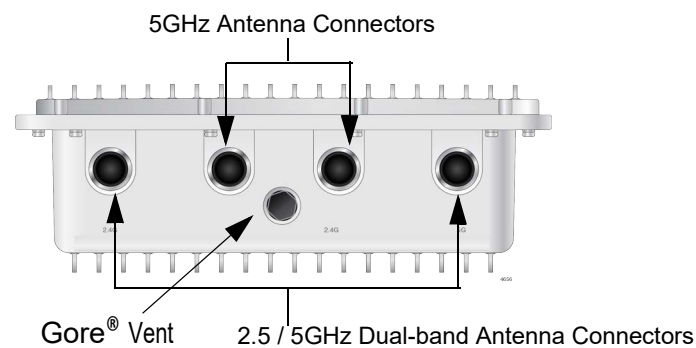
This device complies with Part 15 of FCC Rules, Directive 2014/53/EU issued by the Commission of the European Community, some other safety, electromagnetic emission, and radio certificates.

Physical Description



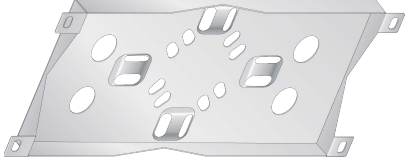

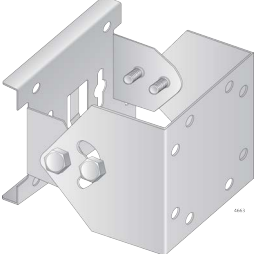



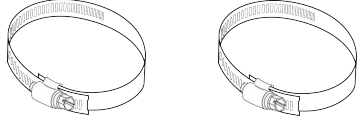
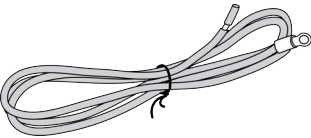

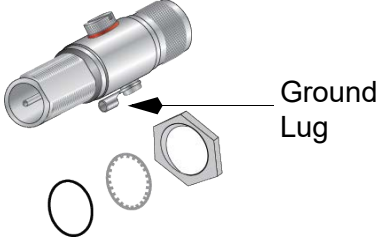
Front Panel



Back Panel

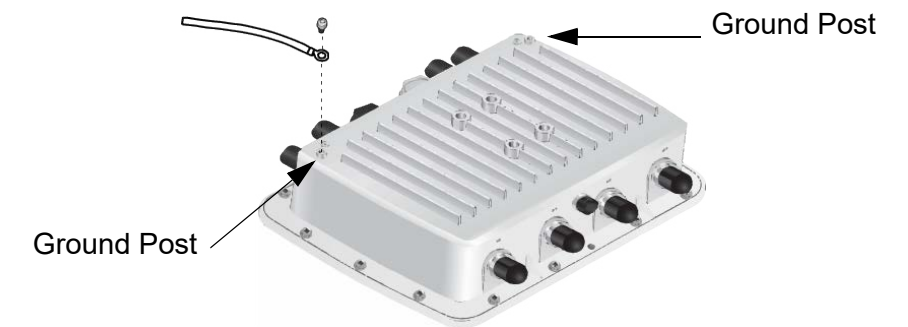


TQ6702e Access Point Package Contents

Four 5GHz single band antennas	
Four 2.4G/5GHz dual band antennas	
One mounting base	
Four sets of a screw (M6xP1.0 16mm), washer, and spring washer for the mounting base	
One pole-mount bracket	
Four sets of a Hex-head bolt, washer, and spring washer for pole-mount bracket	
Two U-bolts	
Four nuts for the U-bolts	
Two pole straps	
One 8AWG ground cable	
One screw with a washer and spring washer for the ground cable	
Eight external surge protectors with nuts, metal washer, and rubber washers	

Attaching the Ground Cable to the Access Point

1. Select a ground post on the access point for the ground wire.
The access point has two ground posts on the bottom panel. Use either post.
2. Insert the screw through the ground lug on the ground wire and secure the wire to the selected ground post on the access point, using a Phillips-head screwdriver.



Note

The ground wire must be 20AWG or larger; the screw must be 3.5mm or larger.

3. Attach the other end of the ground wire to a circuit breaker, ground rod, or earth ground.

Note

Keep the ground cable as short as possible; remove any extra cable.

Connecting an Ethernet Cable to the Access Point

1. Place the access point on a table or desk.
2. Unscrew the cap on the LAN port and remove it from the access point.



3. Disassemble the sealing nut, clamping claw, and sealing insert.
4. Slide the Ethernet LAN cable through the sealing nut and clamping claw.



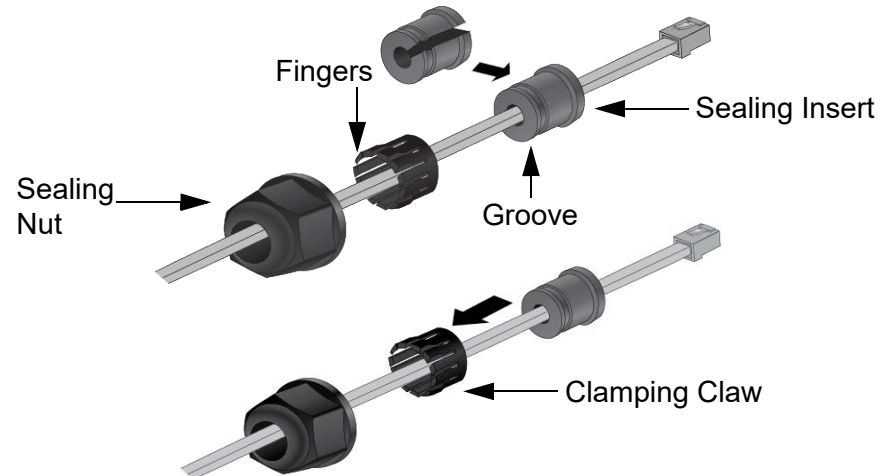
5. Open the sealing insert and slip it onto the Ethernet wire.
The end with the groove needs to be towards the clamping claw. The fingers on the clamping claw need to be pointing towards the sealing nut.

If any item is missing or damaged, contact your Allied Telesis sales representative for assistance. Retain the original shipping material to return the unit to Allied Telesis.



613-003135 Rev C

- Slide the sealing insert into the clawing clamp and slide the clamping claw into the sealing nut.



- Connect the RJ-45 connector on the Ethernet cable into the Ethernet LAN port inside the sealing assembly, and tighten the sealing nut on the access point.



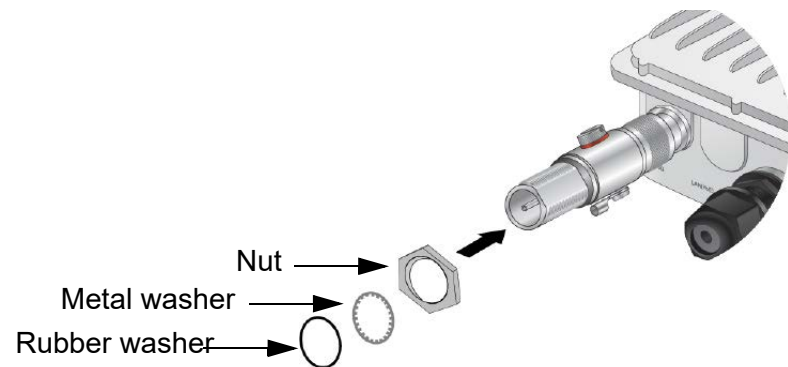
Note

The next step powers on the access point by attaching the Ethernet cable to a port on a PoE++ source device. Allied Telesis recommends not performing the step until you have completed all of the installation procedures.

- Connect the other end of the Ethernet cable to a port on a PoE++ source device, such as a PoE++ switch.

Attaching the Antennas to the Access Point

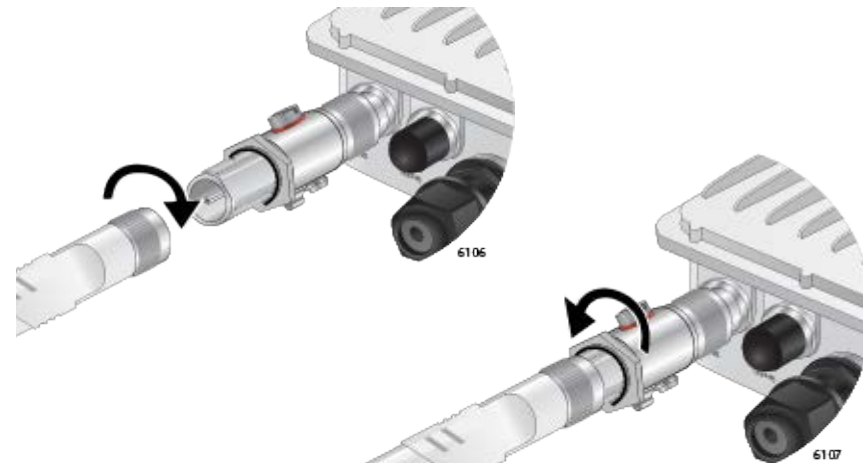
- Remove the blind caps covering the antenna connectors.
- Screw a surge protector to an antenna connector.
- Screw the nut onto the surge protector and install the metal washer and rubber washer, in that order, on the surge protector.



Note

You must install 5GHz antennas to 5GHz antenna connectors and 2.4GHz antennas to 2.4GHz antenna connectors.

- Screw an antenna onto the surge protector and tighten the nut against the antenna to secure the antenna.



- Repeat this procedure to install the remaining antennas.

Installation Orientation

The access point must be installed on a pole or wall with the front panel facing down.

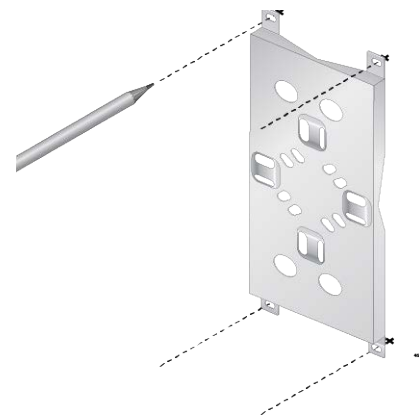


Installing the Access Point on a Wall

- Hold the mounting base on the wall at the desired location for the access point and mark the four mounting base holes with a pencil.

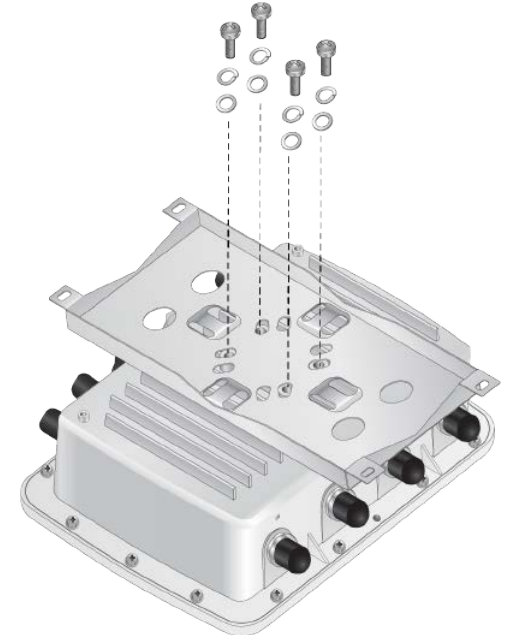
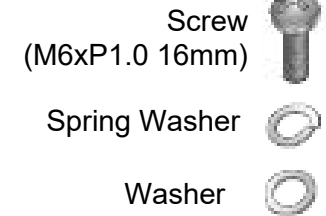
Note

The mounting base can be in a vertical or horizontal position.

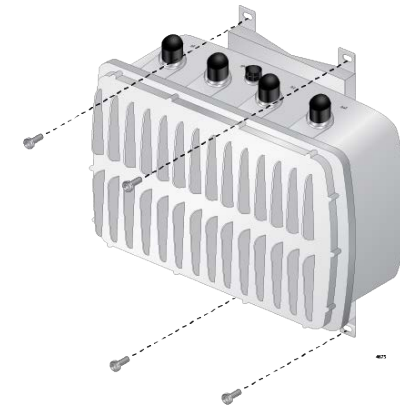


- Pre-drill the marked locations on the wall.
- Install the provided wall anchors in the holes.
- Place the access point upside-down on a table or desk.
- Attach the mounting base to the bottom of the access point with the provided screws, spring washers, and washers, using a Phillips-head screwdriver.

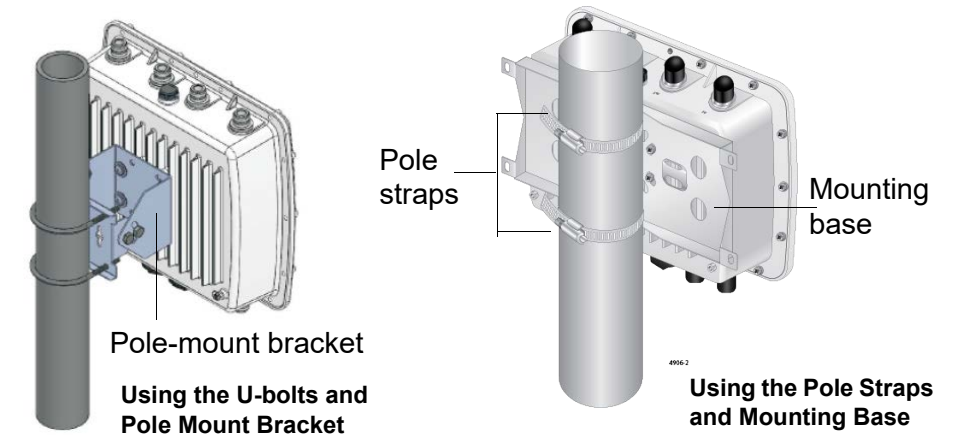
Correct Order of Washers



- Attach the access point to the wall with the provided screws.

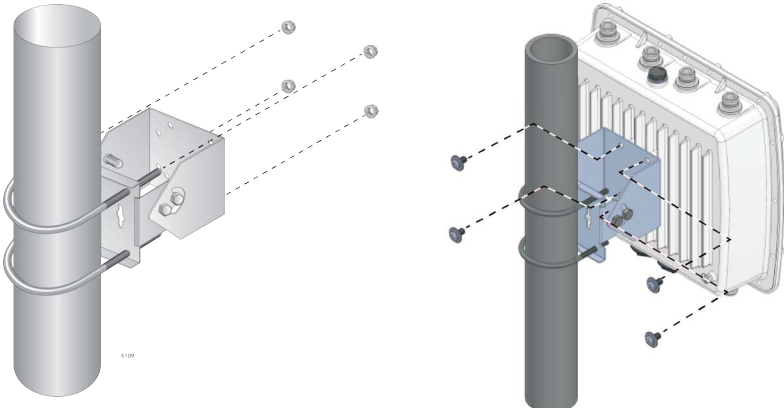


Installing the Access Point on a Pole



Installing the Access Point on a Pole Using the U-Bolts and Pole-Mount Bracket

1. Attach the pole mount brackets to the pole with the two U-bolts.
2. Attach the access point to the pole-mount bracket with the screws using a Phillips-head screwdriver.



Adjusting the Position Upwards or Downwards

1. Loosen the two bolts located on the sides of the pole mount brackets using an adjustable wrench or a 10mm socket and ratchet.
2. Adjust the angle of the access point upward or downward.
3. Tighten the bolts.

Vertical Pole and Horizontal Pole



Installing the Access Point on a Pole Using the Pole Straps and Mounting Base

1. Attach the mounting base to the bottom of the access point with the provided screws, spring washers, and washers, using a Phillips-head screwdriver.

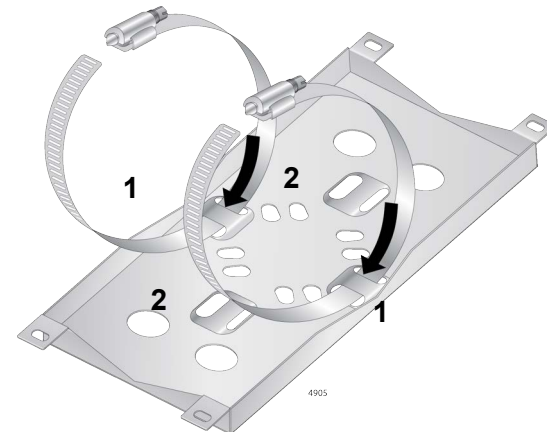
Note

Attach the ground cable to the access point before attaching the mounting base..

2. Thread one pole strap through the holes marked 1 to attach to the mounting base. Repeat to thread the other pole strap.

Note

Use the holes marked 2 to install the access point on a horizontal pole.



3. Wrap the pole straps around the pole.
4. Insert the ends of the pole straps beneath the strap screws.
5. Tighten the screws with a Phillips-head screwdriver to secure the access point to the pole.



Starting the Initial Management Session

The access point firmware includes a DHCP client. The default setting for the client is enabled. When you power on the access point for the first time, it queries the subnet on the LAN port for a DHCP server. If a DHCP server responds to its query, the unit uses the IP address the server assigns to it.

1. Start the web browser on your management workstation.
2. Enter the IP address of the wireless access point in the URL field of the web browser. The address is one of the following:
 - If your network does not have a DHCP server, enter the default address 192.168.1.230.
 - If your network has a DHCP server, enter the IP address the DHCP server assigned to the access point.

The wireless access point displays the logon prompt.

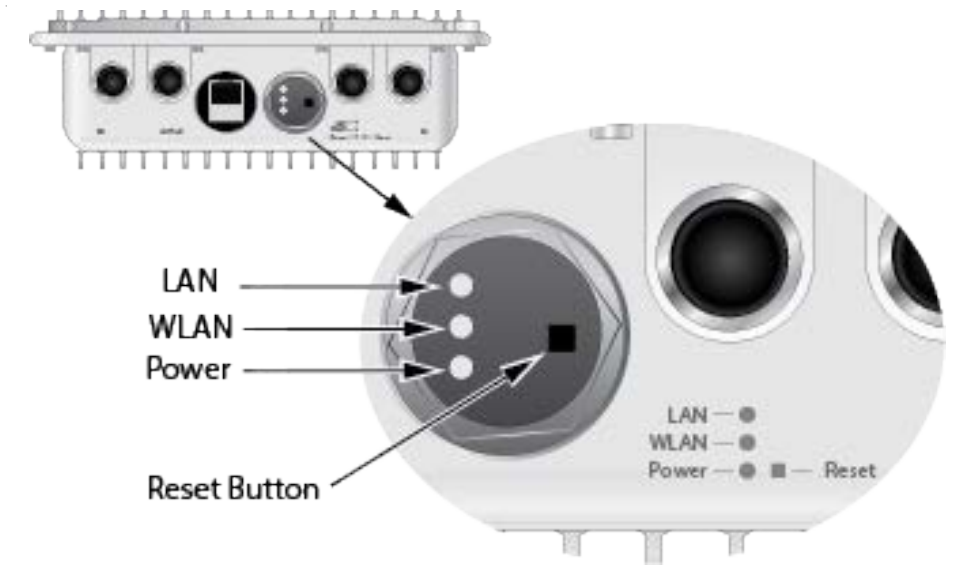
3. Enter "manager" for the username and "friend" for the password. The username and password are case-sensitive.

Setting the Country Setting

The non-US model of this product has a country code setting that must be set during the initial management session of the unit. The setting ensures that the unit operates in compliance with the laws and regulations of your country or region.

The country code for the US model is preset and cannot be changed. Per FCC regulations, the country code setting for all WiFi products marketed in the US must be fixed to US operational channels only.

LEDs



LED	State	Description
LAN	Solid Green	The LAN port is receiving power from a PoE++ source device and is operating normally.
	Blinking Green	The LAN port is receiving power from a PoE++ source device and is transmitting/receiving network traffic.
	Off	The access point is powered off because the LAN port is not receiving power from a PoE++ source device.
WLAN	Solid Green	One or both radios (i.e., Radio1, Radio2, or both) are enabled.
	Off	All radios are disabled or the access point is powered off.
Power	Solid Green	The power from the PoE++ source device is within the normal operating range.
	Blinking Green	The access point is booting up or upgrading its firmware.
	Off	The access point is not receiving power from a PoE++ source device on the Ethernet LAN port,

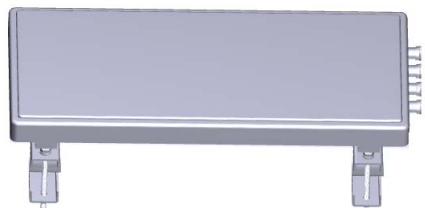
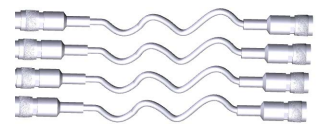


Resetting the Device

Resetting the device makes the parameter settings of the device to their default values. To reset the device, remove the transparent cap on the front panel and press the black button for five seconds and release.

Optional Patch Antenna and Extension Cable

Allied Telesis offers the optional TQ0301 dual-band patch antenna with four 2 meter long cables. In addition, you can use the TQ0064 10-meter RF extension cable with the TQ0301 antenna. To use the TQ0301 antenna and TQ0064 cable, you must purchase them in addition to the access point.

TQ0301 Dual-band Patch Antenna Package Contents

Dual-band Patch Antenna (Bracket Assembly attached)	
Four Cables (2 m)	
Four SMA to N jack conversion adapters	 The adapters are not used for the TQ6702e GEN2 access point.
Two metal protective caps	

TQ0064 Extension Cable Package Content

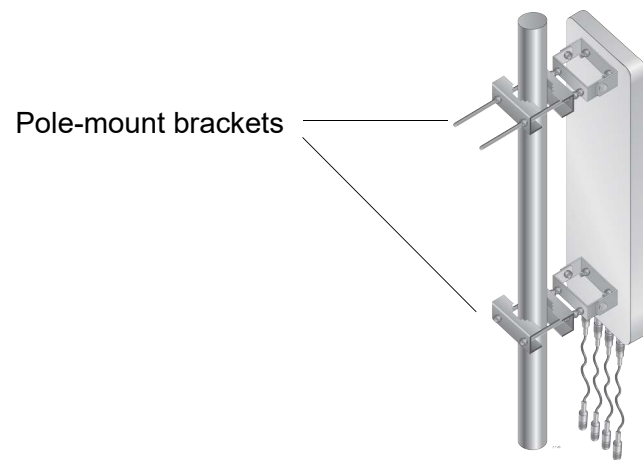
10 meter Cable	
----------------	---

Attaching the Cables to the TQ0301 Patch Antenna

Allied Telesis offers two types of cables for the TQ0301 patch antenna: Two meter cable: comes with the TQ0301 and TQ0064 10 meter cable.

Installing the TQ0301 Patch Antenna on a Pole

The TQ0301 patch antenna can be mounted on a pole with the pole-mount brackets.

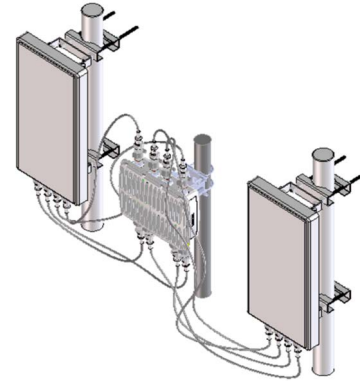


Note

The TQ0301 patch antenna must be installed with the cable connectors facing down.

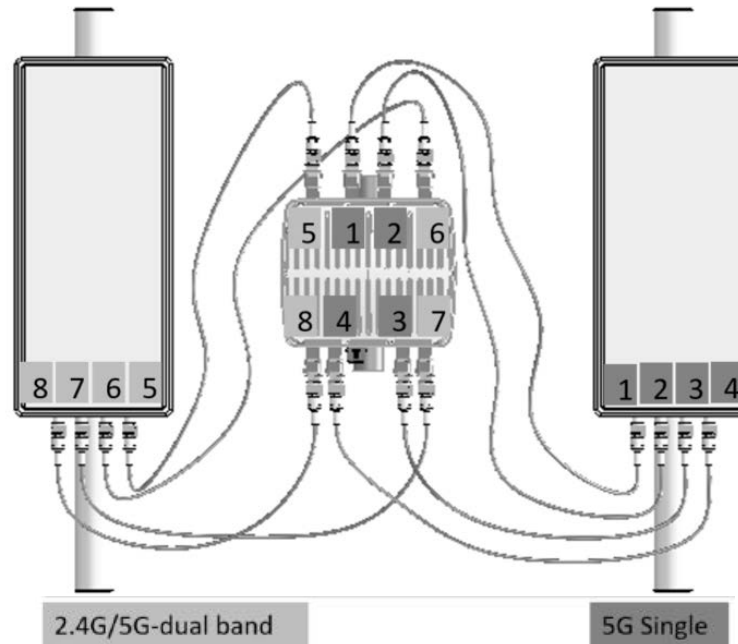
1. Remove the connector blind caps covering the antenna connectors.
2. Attach the N-Jack adapters to the two meter cables.
3. Screw the cables to the antenna connectors.

Installing the TQ0301 Antenna and AT-TQ6702e GEN2 Access Point



The TQ6702e GEN2 access point has two types of antenna connectors:

- 5GHz antenna connectors
- 2.4G/5GHz dual-band antenna connectors



Attaching the Cable to the Access Point

Note

You must install 5GHz antennas to 5GHz antenna connectors and 2.4GHz antennas to 2.4GHz antenna connectors.

1. Remove the connector blind caps covering the antenna connectors.
2. Screw the cable to an antenna connector.



Safety and Electromagnetic Emissions Certificates

This device complies with Part 15 of FCC Rules, Directive 2014/53/EU issued by the Commission of the European Community, some other safety, electromagnetic emission, and radio certificates.

The operating frequencies and maximum transmission power levels for wireless devices operated in the EU & UK are listed below:

AT-TQ6702e GEN2 with the Dipole Antennas (default)				
	2412-2472 MHz	5180-5240 MHz	5260-5320 MHz	5500-5700 MHz
Beamforming	19.98 dBm	22.81 dBm	22.7 dBm	29.75 dBm
Non-Beamforming	19.96 dBm	22.87 dBm	22.65 dBm	29.87 dBm
AT-TQ6702e GEN2 with the Optional AT-TQ0301 Patch Antenna				
	2412-2472 MHz	5180-5240 MHz	5260-5320 MHz	5500-5700 MHz
Beamforming	19.98 dBm	22.91 dBm	22.97 dBm	29.96 dBm
Non-Beamforming	19.98 dBm	22.85 dBm	22.87 dBm	29.96 dBm

* This equipment should be installed and operated with a minimum distance of 20 cm between the radiator and your body.

Note

Contact Allied Telesis for the EU conformity statement. To contact Allied Telesis, visit the web site at www.alliedtelesis.com/contact.

เครื่องวิทยุคมนาคมนี้ไม่มีระดับการแผ่คลื่นแม่เหล็กไฟฟ้าสอดคล้องตามมาตรฐานความปลอดภัยต่อสุขภาพของมนุษย์จากการใช้เครื่องวิทยุคมนาคมที่คณะกรรมการกิจการโทรคมนาคมแห่งชาติประกาศกำหนด



เครื่องวิทยุคมนาคมนี้ได้รับยกเว้น ไม่ต้องได้รับใบอนุญาตให้มี ใช้ซึ่งเครื่องวิทยุคมนาคมหรือตั้งสถานีวิทยุคมนาคมตามประกาศ กสทช. เรื่อง เครื่องวิทยุคมนาคม และสถานีวิทยุคมนาคมที่ได้รับยกเว้นไม่ต้องได้รับใบอนุญาตวิทยุคมนาคมตามพระราชบัญญัติวิทยุคมนาคม พ.ศ. 2498




โทรคมนาคม
กำกับดูแลเพื่อประชาชน
Call Center 1200 (Inswr)

Copyright © 2023 Allied Telesis, Inc. All rights reserved. No part of this publication may be reproduced without prior written permission from Allied Telesis, Inc.

Allied Telesis and the Allied Telesis logo are trademarks of Allied Telesis, Incorporated. All other product names, company names, logos or other designations mentioned herein are trademarks or registered trademarks of their respective owners.

Allied Telesis, Inc. reserves the right to make changes in specifications and other information contained in this document without prior written notice. The information provided herein is subject to change without notice. In no event shall Allied Telesis, Inc. be liable for any incidental, special, indirect, or consequential damages whatsoever, including but not limited to lost profits, arising out of or related to this manual or the information contained herein, even if Allied Telesis, Inc. has been advised of, known, or should have known, the possibility of such damages.